



CalderaSpas®

Vacanza® Series

Congratulations on your decision to enjoy the finest spa available...

Welcome to the growing family of CALDERA spa owners.

Pre-Delivery Instructions

Please take the time to read this booklet carefully, as it will provide you with the information you will need to ensure the safe, secure, and timely installation of your new spa. The following sections are guidelines on how to prepare for delivery and set-up of your new spa. Specifically covered are site selection, delivery access, ground preparation, and electrical requirements.

Remember to carefully read the Owner's Manual that accompanies your spa, and to complete the warranty card within 10 days of delivery. These items, along with other valuable information, will be found in the Owner's Package which has been placed in the equipment compartment of your spa, where you will also find a serial number.

WATKINS WELLNESS reserves the right to change features, specifications and design without notification and without incurring any obligation.

DATE PURCHASED: _____

DATE INSTALLED: _____

DEALER: _____

ADDRESS: _____

TELEPHONE: _____

In most cities and counties, permits will be required for the installation of electrical circuits or the construction of exterior surfaces (decks and gazebos). In addition, some communities have adopted residential barrier codes which may require fencing and/or self-closing gates on the property to prevent unsupervised access to a pool (or spa) by children under 5 years of age. Your Caldera® spa is equipped with a locking cover that meets the ASTM F1346 Standard for Safety Covers and as a result, is usually exempt from most barrier requirements. As a general practice, your local Building Department will inform you of any applicable barrier requirements at the time a permit is obtained for the installation of an electrical circuit. Your **CALDERA** dealer can provide information on which permits may be required.

Pre-Delivery Instructions

SITE SELECTION AND PREPARATION

IMPORTANT: Site selection and preparation are your responsibility. Carefully read these instructions and consult your authorized **CALDERA** dealer if you have any questions.

You probably have a spot picked out for your new spa, whether it's indoors or outdoors, on a patio or on a deck. Just make sure you check the following:

- Always put your spa on a structurally sound, level surface. A filled spa can weigh a great deal. Make certain that the location you choose can support the weight of your filled spa (see specifications on last page)
- Locate your spa away from any reflective surface or glass. The heat generated by some types of double-pane windows and reflective surfaces can cause serious damage to the exterior of the spa, including the siding and cover.
- Locate your equipment compartment, which houses all of the electrical components, in a place where water will drain away from it. Allowing water into the equipment compartment can damage the electronics, or may result in tripping your house's circuit breaker.
- Leave yourself easy access to the circuit breakers in the subpanel.
- Never let water get into the subpanel (230 volt models) or into the GFCI by the end of the power cord (115 volt models).
- Leave access to the entire front of the spa (the removable panel provides access to the spa's equipment) for periodic spa care and maintenance.

INDOOR/BASEMENT INSTALLATION

Be aware of some special requirements if you place your spa indoors. Water will accumulate around the spa, so flooring materials must provide a good grip when wet. Proper drainage is essential to prevent a build-up of water around the spa. When building a new room for the spa, it is recommended that a floor drain be installed. The humidity will naturally increase with the spa installed. Water may get into woodwork and produce dry rot, mildew, or other problems. Check for the effects of airborne moisture on exposed wood, paper, etc. in the room. To minimize these effects, it is best to provide plenty of ventilation to the spa area. An architect can help to determine if more ventilation must be installed.

Your **CALDERA** dealer can help you with local information such as zoning regulations and building codes.

DECK INSTALLATION

To be certain your deck can support your spa, you must know the deck's maximum load capacity. **Consult a qualified building contractor or structural engineer before you place the spa on an elevated deck or indoors.**

To find the weight of your spa, its contents and occupants, refer to the Spa Specification chart on back page. This weight must not exceed the structure's rated capacity, or serious structural damage could result.

OUTDOOR AND PATIO INSTALLATION

No matter where you install your new spa, it's important that you have a solid foundation to support it. Structural damage to the spa resulting from incorrect installation or placement on an inadequate foundation is not covered under the spa's limited warranty (See next page for specifics).



GROUND AND SPA LEVELING

PREPARATION

Your **CALDERA** spa has been engineered to perform on several types of common yard surfaces. While a concrete slab is best for long-term use*, other foundations are acceptable so long as a level base is prepared prior to delivery.

***NOTE:** A reinforced concrete pad at least four inches (10 cm) thick or structurally sound deck able to support the “dead weight” (found in the Spa Specification Chart on back page) is recommended for your **CALDERA** spa. The reinforcing rod or mesh in the pad should be attached to a bond wire.

INSTALLATION NOTES:

- Concrete sloped at 1/2 inch per 10 feet (1 cm per 3 m) is preferred so that rain water and water spillover will run off and not puddle underneath the spa (water under the spa for long periods of time may cause the wood to deteriorate).
- If brick or wood decking is selected for the spa foundation, it should be placed and leveled below the entire spa to maintain even distribution of the spa weight.
- It is important to note that if bricks are used to distribute the weight of the spa there may still be a tendency to settle unevenly, resulting in an unlevel spa.
- Remember, placing the spa around grass or dirt may increase the amount of debris which is inadvertently brought into the spa water on the user's feet.

If you are purchasing a deck package or gazebo with your spa, a solid foundation becomes mandatory. Placing them on any surface other than a single level pad could create problems with their installation. Pictured at right are a few of the recommended surfaces.

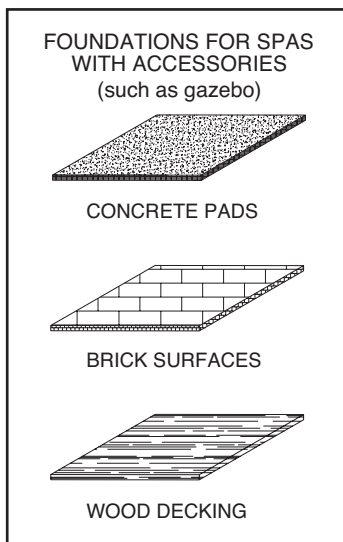
As a homeowner, it is your responsibility to provide a suitable, level foundation for your spa. Keep in mind that most delivery crews are not equipped to level and prepare spa sites.

If you are interested in having a concrete slab, brick surface, or wood deck installed, your **CALDERA** dealer should be able to suggest a qualified, licensed contractor.

DELIVERY ACCESS

First, locate the dimensions of your spa on the chart on the next page. The dimensions shown are the measurements of the spa in the vertical position, laid on its side.

Next, contact your dealer to find the height and width added by the delivery cart which the dealer will use to deliver your new spa. Use the height of the cart plus the dimension shown as H to determine the vertical clearance required to pass the spa and cart. Use the width of the cart, or dimension W, whichever is greater, to determine the maximum width of clearance necessary. Use the length dimension L when making any sharp turns to determine the maximum clearance required.



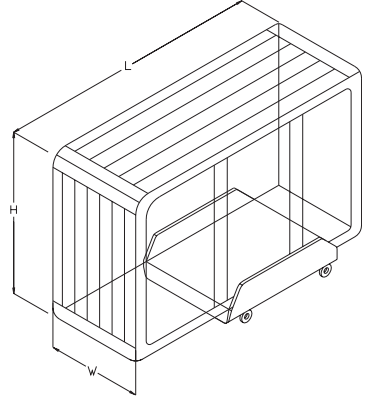
Pre-Delivery Instructions

NOTE: It may be necessary to allow for additional over-head clearance if the spa will be rolled up or down an incline or moved up or down a short flight of stairs.

Use the information below to determine the requirements for access to your desired location. It may be necessary to remove a gate, part of a fence, or other movable obstructions in order to roll the spa to its installation site.

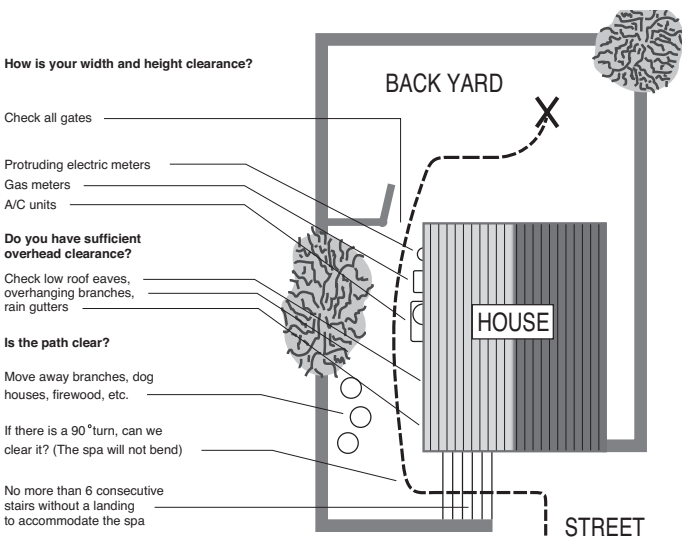
If the spa has to be taken off of the cart to go over a wall (either because the entry area is too narrow, the eaves are too low, the corner is too tight, or the stairway is too steep), a crane will be required. Don't be alarmed!

The crane has a truck-mounted boom which can fit right in your driveway. It is run by a licensed and insured operator. For a charge, the crane operator will lift your spa over walls, buildings, or any other obstruction and place it as close to the installation site as possible. The **CALDERA** spa delivery personnel will supervise the crane delivery and complete the spa placement.



NOTE: If your spa delivery requires the use of a crane, you may be required to pay for its services at the completion of the delivery.

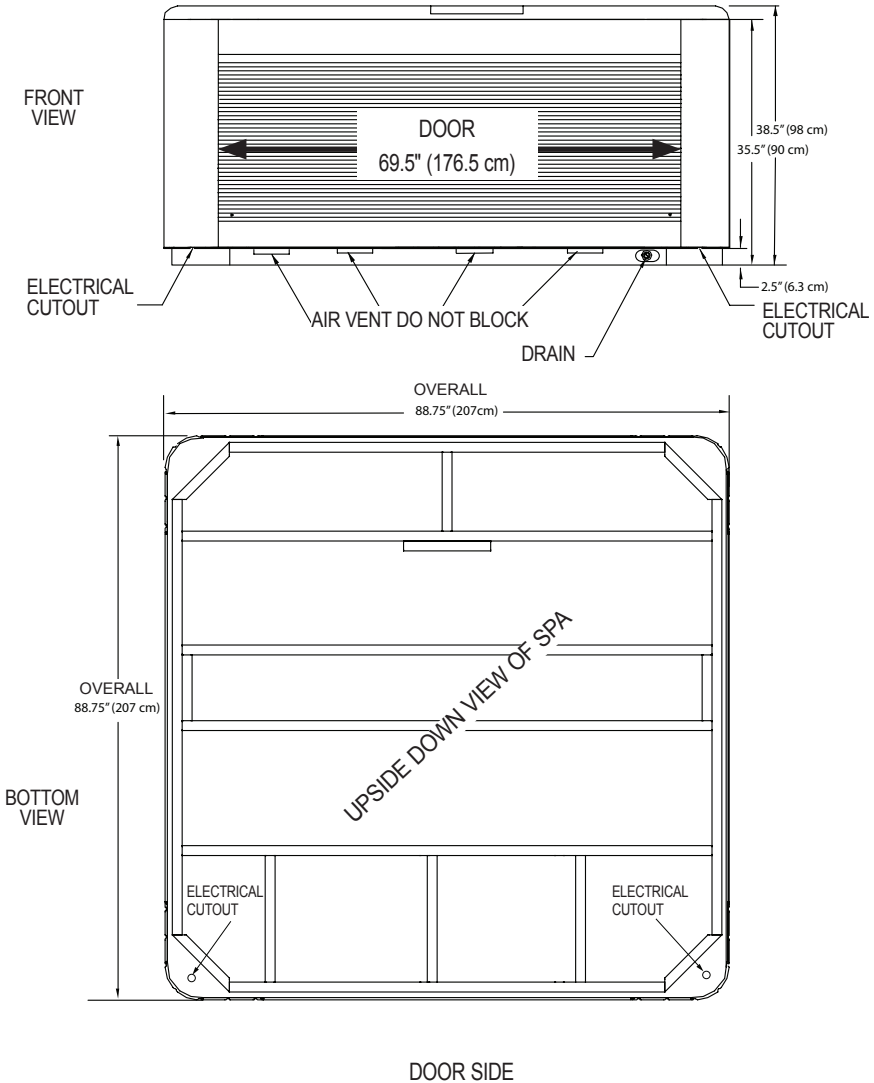
Model	Width W	Length L	Height H
Palatino®	38.5" (98 cm)	89" (226 cm)	89" (226 cm)
Marino®	36" (91 cm)	84" (213 cm)	84" (213 cm)
Vanto®	36" (91 cm)	84" (213 cm)	84" (213 cm)
Tarino™	33" (84 cm)	82" (208 cm)	82" (208 cm)
Celio™	29" (74 cm)	84" (213 cm)	65" (165 cm)
Aventine®	29" (74 cm)	64" (162 cm)	64" (162 cm)





PALATINO®

NOTE: All dimensions are approximate; measure your spa before making critical design or pathway decisions.



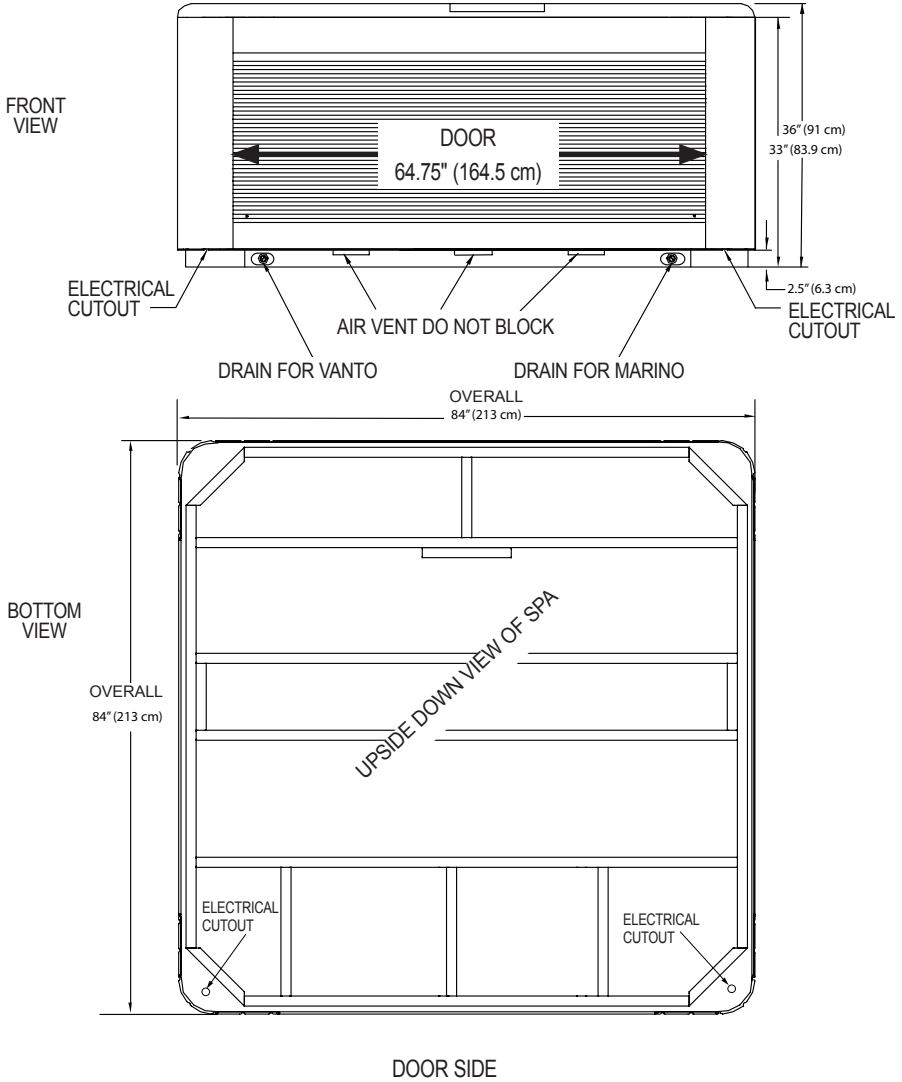
NOTE: WATKINS WELLNESS recommends that the **PALATINO** be installed on a minimum 4" (10 cm) thick reinforced concrete pad or structurally sound deck able to support the "dead weight" found in the spa specification chart.

IMPORTANT: The **PALATINO** must not be shimmed in any manner.

Pre-Delivery Instructions

MARINO[®] / VANTO[®]

NOTE: All dimensions are approximate; measure your spa before making critical design or pathway decisions



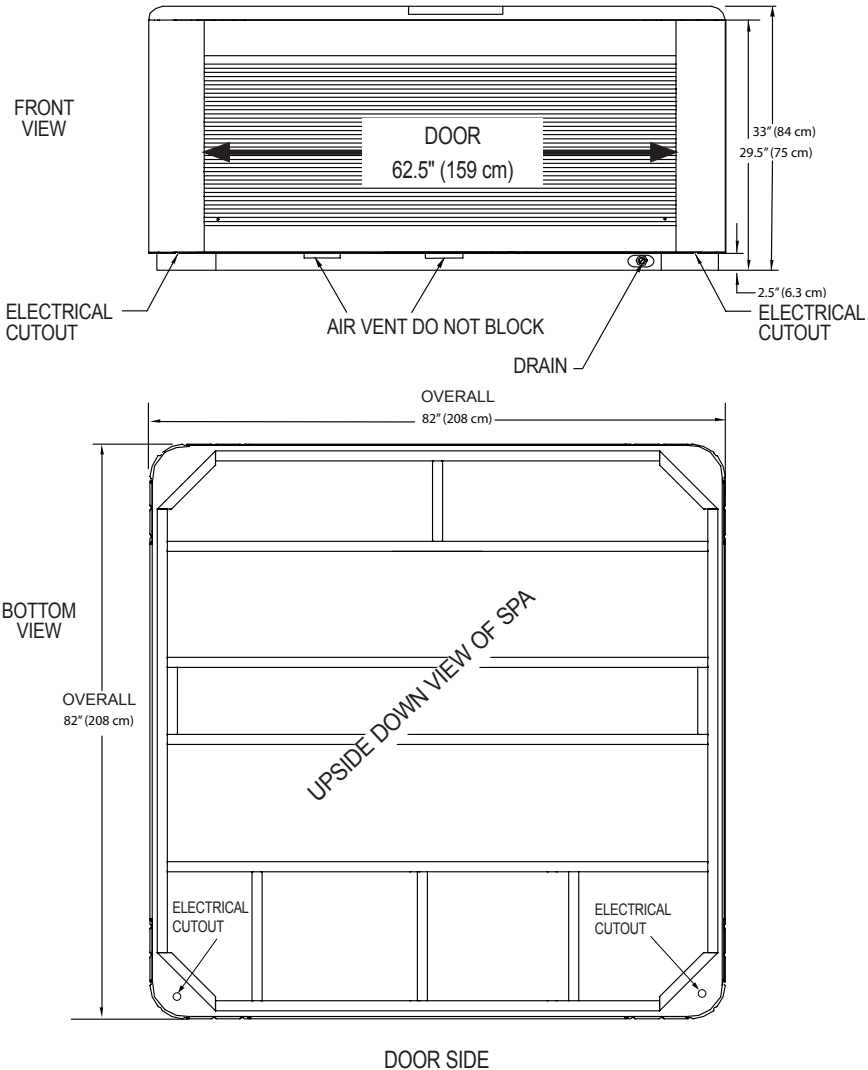
NOTE: WATKINS WELLNESS recommends that the **MARINO & VANTO** be installed on a minimum 4" (10 cm) thick reinforced concrete pad or structurally sound deck able to support the "dead weight" found in the spa specification chart.

IMPORTANT: The **MARINO & VANTO** must not be shimmed in any manner.



TARINO™

NOTE: All dimensions are approximate; measure your spa before making critical design or pathway decisions



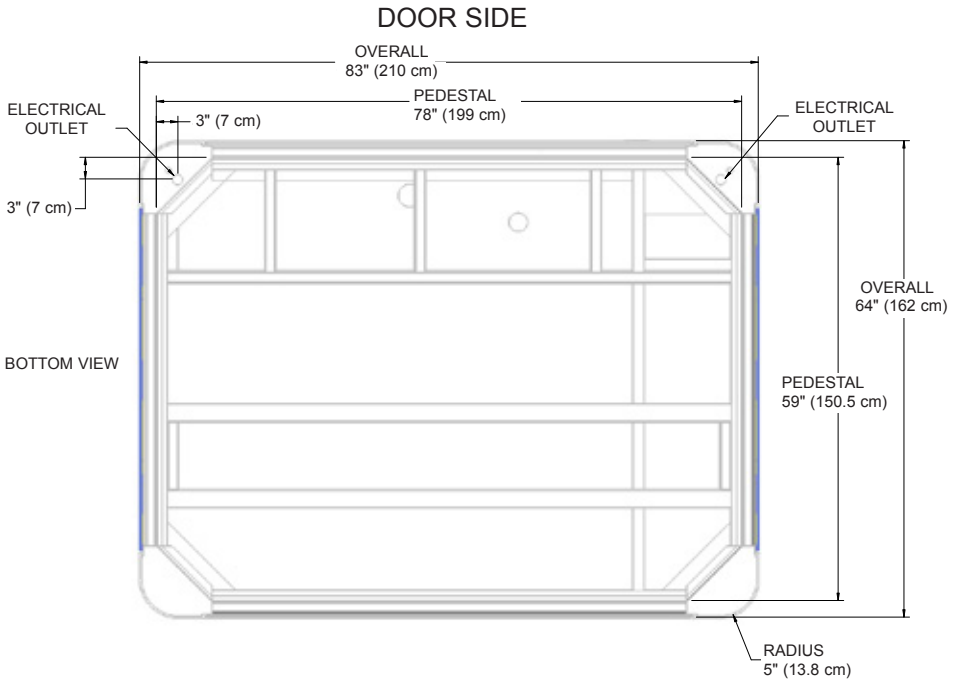
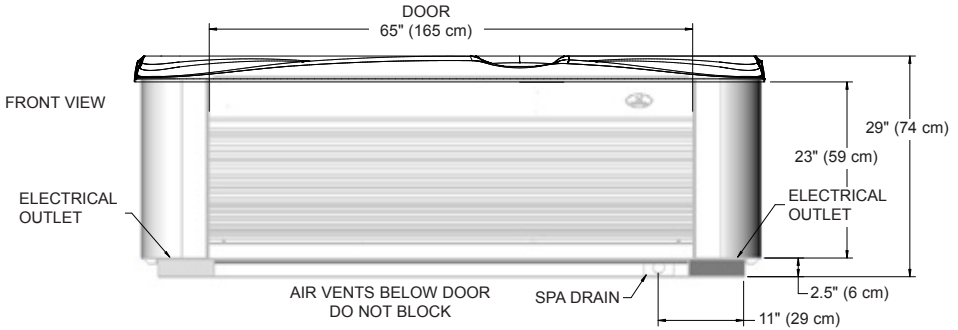
NOTE: WATKINS WELLNESS recommends that the **TARINO** be installed on a minimum 4" (10 cm) thick reinforced concrete pad or structurally sound deck able to support the "dead weight" found in the spa specification chart.

IMPORTANT: The **TARINO** must not be shimmed in any manner.

Pre-Delivery Instructions

CELIO™

NOTE: All dimensions are approximate; measure your spa before making critical design or pathway decisions



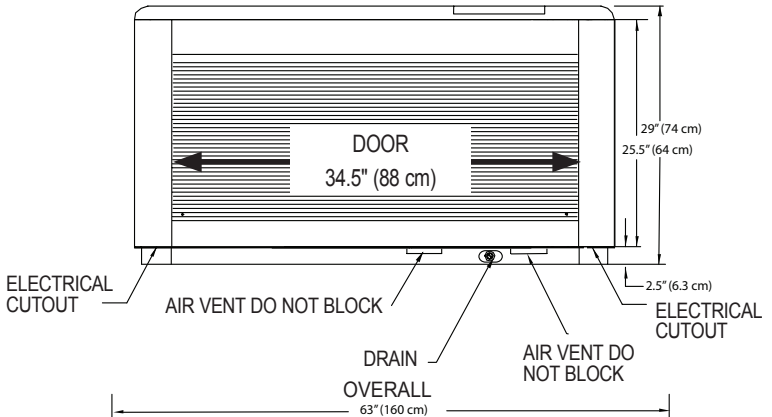
NOTE: WATKINS WELLNESS recommends that the **CELIO** be installed on a minimum 4" (10 cm) thick reinforced concrete pad or structurally sound deck able to support the "dead weight" found in the spa specification chart.

IMPORTANT: The **CELIO** must not be shimmed in any manner.

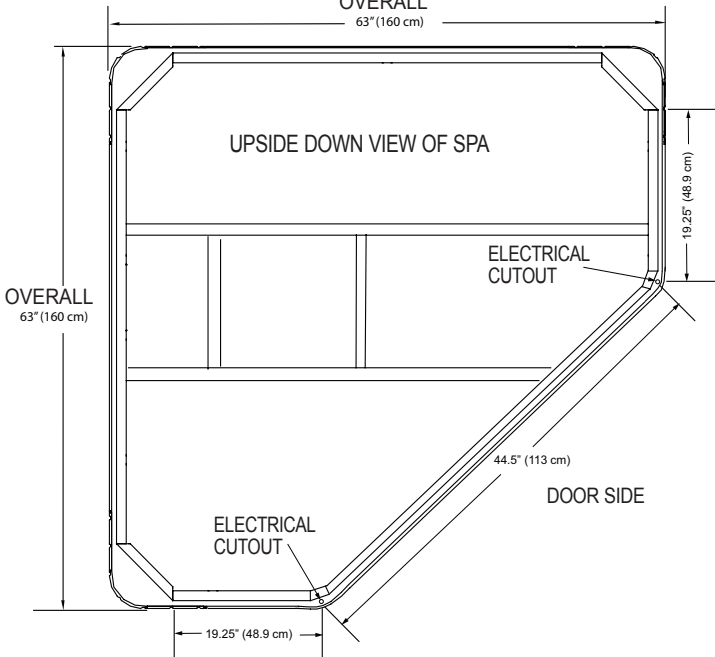
AVENTINE®

NOTE: All dimensions are approximate; measure your spa before making critical design or pathway decisions.

FRONT VIEW



BOTTOM VIEW



NOTE: WATKINS WELLNESS recommends that the AVENTINE be installed on a minimum 4" (10 cm) thick reinforced concrete pad or structurally sound deck able to support the "dead weight" found in the spa specification chart.

IMPORTANT: The AVENTINE must not be shimmed in any manner.

Pre-Delivery Instructions

ELECTRICAL REQUIREMENTS

SELECTING THE VOLTAGE FOR YOUR SPA

The **PALATINO**, **MARINO** and **VANTO** models require a 230 volt power supply. The **TARINO**, **CELIO** and **AVENTINE** may be converted from 115 volts to 230 volts. When the spa is connected to 115 volts, 20 amp, the heater will provide approximately 1000 watts of heat only when the thermostat is calling for heat. When the **TARINO**, **CELIO** or **AVENTINE** is connected to 230 volts, the heater will provide 4000 watts of heat whether the pump is operating in LOW or HIGH speed and the thermostat is calling for heat.

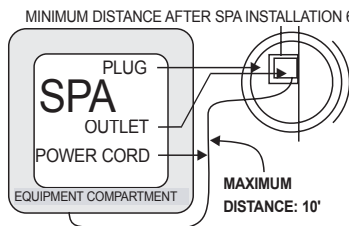
All electrical connections must be made in accordance with the wiring information contained in the electrical control box or on the back of the field wiring access panel of the equipment module.

STANDARD, CORD-CONNECTED 115 VOLT 20 AMP CONFIGURATION (TARINO, CELIO & AVENTINE)

For your safety, if you are having an electrician install an electric outlet for the spa it should be no closer than 6 feet (1.8 m) and no further than 10 feet (3 m) from the spa. [Reference National Electrical Code.

One GFCI is used in the cord-connected 20 amp configuration. The GFCI module is located at the end of the power cord. To test the GFCI, simply press the TEST button. The GFCI should trip to the "off" position, disconnecting power to the spa. To reset the GFCI, press the RESET button. The GFCI should reset, and power should be restored to the spa. If the GFCI does not function in this way, unplug the cord and contact an authorized **CALDERA** spa service technician.

NOTE: Consult your local code authority to determine if an electrical outlet with a cover is required for your installation. If it is, a suitable outlet cover may be purchased from your authorized **CALDERA** dealer.



115 VOLT ELECTRICAL REQUIREMENTS

The **TARINO**, **CELIO** & **AVENTINE** spas must be connected to a 115 volt, 20 amp grounded circuit. The equipment pack requires a MINIMUM of 112 volts under load. A dedicated circuit is required; the term "dedicated" means the electrical circuit **CANNOT** be used for any other high-load electrical items (patio lights, appliances, garage circuits, etc.). If the spa is connected to a non-dedicated circuit, overloading will result in "nuisance tripping" of the internal fuses or of the breaker switch at the house electrical breaker panel.

The circuit must be properly wired; that is, it must have the following:

- Standard (cord-connected) 115 volt 20 amp – A minimum 20 amp GFCI circuit breaker in the house panel, #12 AWG or larger wire (including the ground wire) and the correct polarity throughout the circuit.
- In addition to the dedicated 20 amp, 115 volt GFCI protected circuit, your spa requires a 20 amp single receptacle. This receptacle, which contains an outdoor-rated, weather-resistant receptacle cover plate, will be provided to you. The single receptacle and cover plate should be installed by your electrician prior to the delivery of your spa.

A pressure wire connector is provided on the exterior surface of the spa's electrical control box, located inside the equipment compartment. This is to permit the connection of a bonding ground wire between this point and any metal equipment, enclosures, pipe or conduit within five feet (1.5 m) of the spa (if needed to comply with local building code requirements). The bonding wire must be at least a #10 AWG solid copper wire.

NEVER CONNECT THE SPA TO AN EXTENSION CORD AS THIS WILL VOID THE WARRANTY!

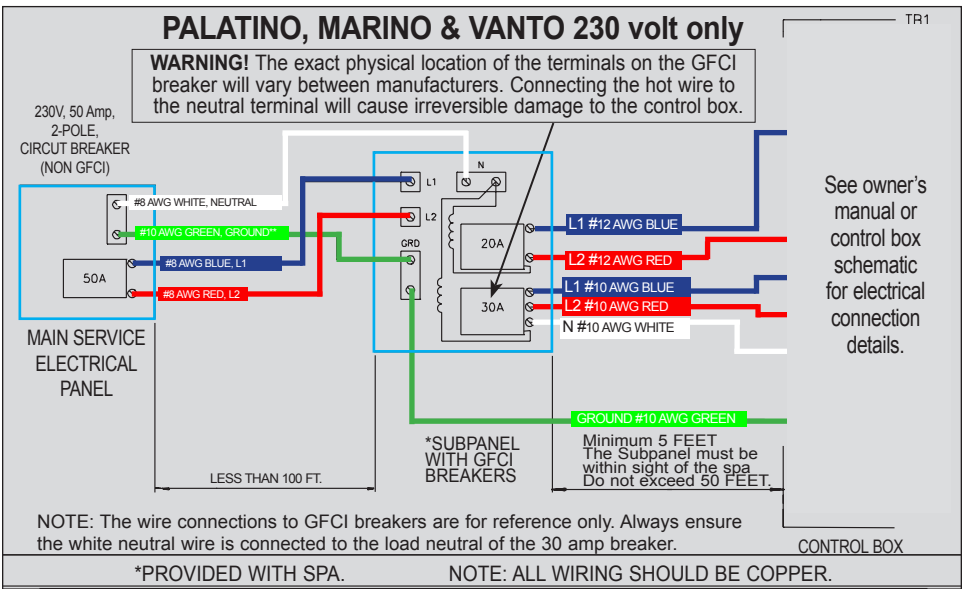
The **TARINO, CELIO** and **AVENTINE** spas come equipped with approximately 15 feet (4.5 m) of usable power cord (this is the maximum length allowed by regulatory standards and the National Electric Code). The power cord is wrapped in bubble packaging for shipping and can be found inside the equipment compartment. Disconnect the cord from the control box, feed through the electrical cutout then reconnect to the control box.

IMPORTANT NOTE: All electrical connections to the control box must be accomplished by a qualified electrician in accordance with the National Electrical Code and in accordance with any local electrical codes in effect at the time and place of installation.

230 VOLT ELECTRICAL REQUIREMENTS

To ensure you will have an opportunity to use your spa soon after delivery, it is very important that the required electrical service has been installed. Unless otherwise stipulated by your dealer, **THIS IS YOUR RESPONSIBILITY.**

IMPORTANT: All electrical circuits must be installed by a qualified, licensed electrician. The equipment pack requires a **MINIMUM** of 112 volts per line under load.



230 VOLT INSTALLATION

Your spa contains a control box designed to operate at 230V, 60Hz. Installation of a 50 amp. dedicated circuit is recommended. The control box must be hard wired directly to a subpanel protected by a Ground Fault Circuit Interrupter (GFCI). The subpanel containing GFCI breakers is included with the spa.

IMPORTANT NOTE: All electrical connections to the control box must be accomplished by a qualified electrician in accordance with the National Electrical Code and in accordance with any local electrical codes in effect at the time and place of installation.

All electrical connections must be made in accordance with the wiring information contained in this manual and on the back of the field wiring access panel of the control box. A licensed electrician should install a four-wire electrical service (two line voltages, one neutral, one ground) from the main electrical service panel to the subpanel. The equipment pack requires a **MINIMUM** of 112 volts per line under load.

The grounding conductor must be at least #10 AWG. Your electrician should mount the subpanel in the vicinity of the spa but it should not be closer than 5 feet (1.5 m) from the spa water edge (NEC 680-38 to 41-A-3).

Pre-Delivery Instructions

INSTALLATION NOTE: After the spa has been installed, your electrician can connect the conduit from the subpanel to the spa's control box and then complete the wiring connections in the control box.

NOTE: Complete step-by-step Installation and wiring instructions for all models are included in the Owner's Manual and with each sub-panel, which can be obtained from your dealer.

WARNING: Removing or bypassing the GFCI breakers in the subpanel at any time will result in an unsafe spa and will void the warranty.

230 VOLT CONVERSION - TARINO, CELIO & AVENTINE ONLY

CALDERA spas must be wired in accordance with all applicable local electrical codes. All electrical work should be done by an experienced, licensed electrician. We recommend the use of appropriate electrical conduit, fittings, and wire for all circuits.

Refer to the following instructions to convert from 115 volt to 230 volt

IMPORTANT: Converting the spa to 230 volt operation will require both an authorized **CALDERA** service agent and a qualified electrician. Required Part: A 50A Subpanel with 20A & 30A breakers (for 230 volt Convertable) available from your **CALDERA** dealer.

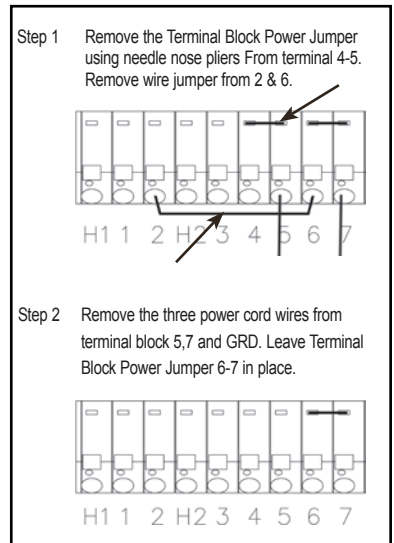
1. Disconnect the power cord from the house receptacle.
2. Open the equipment compartment door.
3. Remove the screws on the front of the spa control box.
4. Open the control box cover.
5. Identify Terminal block located in the lower left-hand corner inside the control box.
6. Refer to illustration, Step 1. Remove the 2 pin jumper attached to terminals 4 and 5. Refer to illustration, Step 1. Remove the wire jumper from terminals 2, and 6.
7. Refer to illustration, Step 1. Remove the wire jumper from terminals 2, and 6.
8. Refer to illustration, Step 2. Remove the powercord wires from 5, 7 and GRD (not illustrated).
9. Unscrew the power cord strain relief and remove the power cord from the access hole in the control box.

⚠ **WARNING:** Do not allow pliers to contact any electronic components inside the control box.

Converting from 115 volts to 230 volts changes the voltage supplied to the heater from 115-volts to 230 volts. The jet pump will continue to operate at 115 volts.

Have your licensed electrician wire subpanel from a 50A Main Service, then from subpanel into the spa's control box using the following illustration or use the wire diagram on the inside of the control box lid.

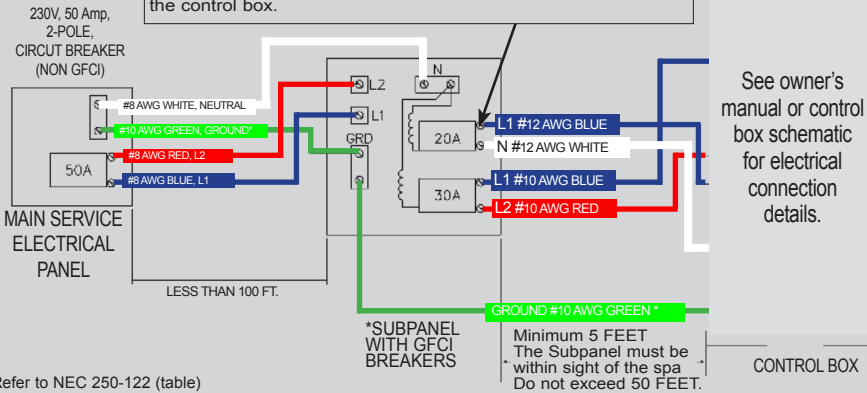
IMPORTANT: The subpanel must be placed in sight of the spa, at a minimum distance of 5 feet away.



TARINO, CELIO, & AVENTINE

230 volt converted mode

WARNING! The exact physical location of the terminals on the GFCI breaker will vary between manufacturers. Connecting the hot wire to the neutral terminal will cause irreversible damage to the control box.



* Refer to NEC 250-122 (table)

NOTE: The wire connections to GFCI breakers are for reference only. Always ensure the white neutral wire is connected to the load neutral of the 20 amp breaker.

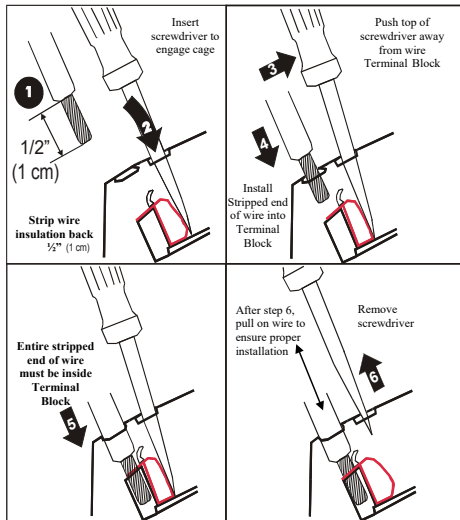
AVAILABLE FROM DEALER.

NOTE: ALL WIRING SHOULD BE COPPER.

WIRE INSTALLATION FOR CONTROL BOX TERMINAL BLOCK (Layout of Spa's Terminal Blocks may vary)

Wire Installation Steps

Refer to spa's wiring diagram on back of Control Box Cover for proper wiring and jumper configuration!





SERVICES AVAILABLE FROM YOUR CALDERA SPA DEALER

Pre-Delivery site inspection	_____
Deliver spa to installation site	_____
Unwrap spa and haul away packaging material	_____
Set up spa	_____
Fill the spa with water	_____
Explain and test the spa's operation:	_____
• Control panel functions	
• Set temperature control	
• Jet systems menu	
• Lighting	
• Auxiliary panel functions	
• Optional CALDERA Entertainment System	
Explain the safety features	_____
• GFCI	
• Heater high limit	
General spa operation & maintenance orientation	_____
Water quality and maintenance orientation	_____
Adjust the water's pH, Total Alkalinity and Calcium Hardness	_____
Sanitize the water	_____
Inspect the spa cover, place on spa, and install cover locks	_____
Review winterizing instructions	_____
Review Owner's Manual & complete Warranty Card	_____
Follow-up call	_____
In-store spa water analysis	_____
TOTAL COST	_____

ADDITIONAL PRODUCTS AVAILABLE FROM YOUR CALDERA SPA DEALER

- FreshWater® Salt System Start-Up Kit
- FreshWater Salt System Replacement Cartridges
- Ozone Kit
- FreshWater Mineral Spa Sanitizer
- Clean Screen® Pre-Filter
- FreshWater Vanishing Act® Calcium Remover
- Replacement Filter Cartridges
- FreshWater 5-way Test Strips
- FreshWater Salt Test Strips
- FreshWater Phosphate Test Strips
- FreshWater Spa Salt
- Steps - Vacanza® Series and Polymer
- Caldera® Entertainment Systems - Check compatibility for specific models
- Retractable cover system with clearance requirements:
 - ProLift® - 14" (36 cm) Back & 3" (8 cm) side Clearance Required
 - ProLift II - 24" (61 cm) Back & 3" (8 cm) side Clearance Required
 - ProLift III - 24" (61 cm) Back & 3" (8 cm) side Clearance Required
 - ProLift IV - 7" (18 cm) Back & 3" (8 cm) side Clearance Required

NOTE: Actual clearance may vary depending on spa model and installation location. Check with dealer for further details.

CONTRACTOR SUGGESTIONS

Electrician

Name: _____
Telephone: _____
Name: _____
Telephone: _____

Masonry

Name: _____
Telephone: _____
Name: _____
Telephone: _____

General

Name: _____
Telephone: _____
Name: _____
Telephone: _____

VACANZA SPA SPECIFICATIONS

	Footprint dimensions	Height	Effective filter area	Heater (Watts)	Water capacity	Dry weight	Filled weight*	Dead weight*	Electrical requirements
PALATINO Seating (6 Adults)	89" x 89" 2.3 m x 2.3 m	38.5" .98 m	65 ft ² 6 m ²	4,000	400 Gal 1,525 liters	910 lbs 415 kg	5,295 lbs 2,420 kg	125 lbs/ft ² 610 kg/m ²	230 volt, 20A & 30A Single phase GFCI circuits
MARINO Seating (6 Adults)	84" x 84" 2.1 m x 2.1 m	36" .91 m	65 ft ² 6 m ²	4,000	360 Gal 1,375 liters	835 lbs 380 kg	4,885 lbs 2,235 kg	130 lbs/ft ² 635 kg/m ²	230 volt, 20A & 30A Single phase GFCI circuits
VANTO Seating (7 Adults)	84" x 84" 2.1 m x 2.1 m	36" .91 m	65 ft ² 6 m ²	4,000	375 Gal 1,425 liters	845 lbs 385 kg	5,200 lbs 2,370 kg	140 lbs/ft ² 685 kg/m ²	230 volt, 20A & 30A Single phase GFCI circuits
TARINO Seating (5 Adults)	82" x 82" 2.1 m x 2.1 m	33" .84 cm	30 ft ² 2.7 m ²	1,000 or 4,000	310 Gal 1,175 liters	730 lbs 330 kg	4,190 lbs 1,905 kg	120 lbs/ft ² 585 kg/m ²	115 volt, 20A dedicated GFCI or 230 volt, 20A & 30A Single phase GFCI circuits
CELIO Seating (3 Adults)	84" x 65" 2.1 m x 1.7 m	29" .76 m	30 ft ² 2.7 m ²	1,000 or 4,000	215 Gal 825 liters	635 lbs 290 kg	2,955 lbs 1,355 kg	105 lbs/ft ² 515 kg/m ²	115 volt, 20A dedicated GFCI or 230 volt, 20A & 30A Single phase GFCI circuits
AVENTINE Seating (2 Adults)	64" x 64" 1.6 m x 1.6 m	29" .74 m	35 ft ² 3.2 m ²	1,000 or 4,000	150 Gal 575 liters	440 lbs 200 kg	2,060 lbs 935 kg	120 lbs/ft ² 585 kg/m ²	115 volt, 20A dedicated GFCI or 230 volt, 20A & 30A Single phase GFCI circuits

CAUTION: WATKINS WELLNESS suggests a structural engineer or contractor be consulted before the spa is placed on an elevated deck.

* **NOTE:** The "Filled weight" and "Dead weight" of the spa includes the weight of the occupants (assuming an average occupant weight of 175 lbs (80kg)).

1280 Park Center Drive
Vista, California 92081
(800) 669-1881 extension 8432

